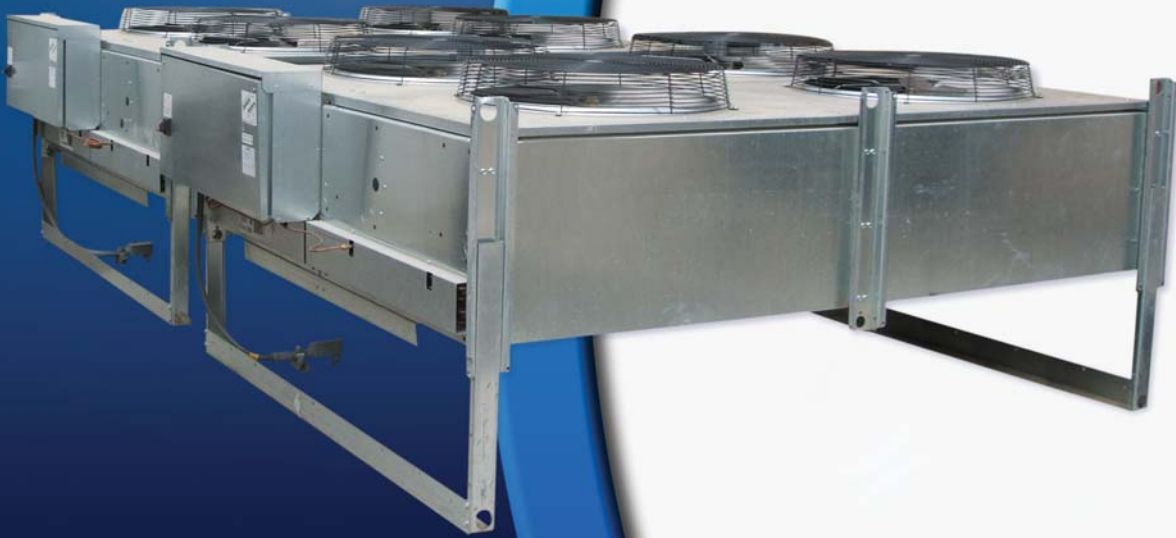


# MUELLER® AIR-COOLED REMOTE CONDENSERS PMC SERIES



**MUELLER**®

THE MILK COOLING SYSTEMS SPECIALISTS™

# MUELLER® AIR-COOLED REMOTE CONDENSERS — PMC SERIES

## Features and Specifications

Mueller® air-cooled remote condensers are designed and manufactured for the vigorous demands of either milk cooling or chilled water applications.

The air-cooled condensers are available for installations requiring single, dual, triple, or quad refrigeration units in a single condenser application.

### Standard Features

- Complete range of capacities ranging from single 10 hp to dual 40 hp
- Modular design with models in both single and dual row fan configurations.
- High efficiency 3-phase fan motors with ball bearings and internal overload protection.
- Condenser coils are copper tubes with corrugated aluminum fins at 10 fins per inch.
- Internal baffles provided between all fan cells.
- Special individual pressure fan cycling for each motor except header fan motor.
- Sizing for R-22. Other refrigerant sizing upon request.
- Must specify proper unit voltage at time of order.

SPECIFICATION DATA						
Model No.	Fan Configuration	No. of Fans	FLA @ 460/60/3	Connections (ODS) Inlet	Connections (ODS) Outlet	Approx. Shipping Weight (lb)
<b>SINGLE ROW OF FANS</b>						
RAC-014-S-V-N	1 x 2	2	2.6	1 <sup>1</sup> / <sub>8</sub>	7 <sup>7</sup> / <sub>8</sub>	510
RAC-021-S-V-N	1 x 3	3	3.9	1 <sup>5</sup> / <sub>8</sub>	1 <sup>1</sup> / <sub>8</sub>	550
RAC-023-S-V-N	1 x 2	2	7.0	1 <sup>3</sup> / <sub>8</sub>	1 <sup>3</sup> / <sub>8</sub>	730
RAC-027-S-V-N	1 x 2	2	7.0	1 <sup>5</sup> / <sub>8</sub>	1 <sup>5</sup> / <sub>8</sub>	770
RAC-031-S-V-N	1 x 2	2	7.0	1 <sup>5</sup> / <sub>8</sub>	1 <sup>5</sup> / <sub>8</sub>	790
RAC-035-S-V-N	1 x 2	2	7.0	1 <sup>5</sup> / <sub>8</sub>	1 <sup>5</sup> / <sub>8</sub>	880
RAC-041-S-V-N	1 x 3	3	10.5	2 <sup>1</sup> / <sub>8</sub>	2 <sup>1</sup> / <sub>8</sub>	1,190
RAC-045-S-V-N	1 x 3	3	10.5	2 <sup>1</sup> / <sub>8</sub>	2 <sup>1</sup> / <sub>8</sub>	1,210
RAC-053-S-V-N	1 x 4	4	14.0	2 <sup>1</sup> / <sub>8</sub>	2 <sup>1</sup> / <sub>8</sub>	1,580
RAC-065-S-V-N	1 x 4	4	14.0	2 <sup>1</sup> / <sub>8</sub>	2 <sup>1</sup> / <sub>8</sub>	1,650
<b>DUAL ROW OF FANS</b>						
RAC-046-D-V-N	2 x 2	4	14.0	2 @ 1 <sup>3</sup> / <sub>8</sub>	2 @ 1 <sup>3</sup> / <sub>8</sub>	1,540
RAC-054-D-V-N	2 x 2	4	14.0	2 @ 1 <sup>5</sup> / <sub>8</sub>	2 @ 1 <sup>5</sup> / <sub>8</sub>	1,580
RAC-060-D-V-N	2 x 2	4	14.0	2 @ 1 <sup>5</sup> / <sub>8</sub>	2 @ 1 <sup>5</sup> / <sub>8</sub>	1,620
RAC-066-D-V-N	2 x 2	4	14.0	2 @ 1 <sup>5</sup> / <sub>8</sub>	2 @ 1 <sup>5</sup> / <sub>8</sub>	1,650
RAC-070-D-V-N	2 x 2	4	14.0	2 @ 1 <sup>5</sup> / <sub>8</sub>	2 @ 1 <sup>5</sup> / <sub>8</sub>	1,760
RAC-080-D-V-N	2 x 3	6	21.0	2 @ 2 <sup>1</sup> / <sub>8</sub>	2 @ 2 <sup>1</sup> / <sub>8</sub>	2,360
RAC-086-D-V-N	2 x 3	6	21.0	2 @ 2 <sup>1</sup> / <sub>8</sub>	2 @ 2 <sup>1</sup> / <sub>8</sub>	2,380
RAC-098-D-V-N	2 x 3	6	21.0	2 @ 2 <sup>1</sup> / <sub>8</sub>	2 @ 2 <sup>1</sup> / <sub>8</sub>	2,480
RAC-106-D-V-N	2 x 4	8	28.0	2 @ 2 <sup>1</sup> / <sub>8</sub>	2 @ 2 <sup>1</sup> / <sub>8</sub>	3,150
RAC-132-D-V-N	2 x 4	8	28.0	2 @ 2 <sup>1</sup> / <sub>8</sub>	2 @ 2 <sup>1</sup> / <sub>8</sub>	3,300

Note: FLA @ 460/60/3. For FLA @ 208-230/60/3 multiply by 2.0.

## Nomenclature and Sizing

### Model Nomenclature

RAC - XXX - X - V - N

N = No Flooded Head Pressure Control

F = Flooded Head Pressure Control

Voltage: 2 = 208-230/60/3 or 4 = 460/60/3

No. of Circuits: S = Single or D = Dual

Condenser Size

CHILLER REMOTE CONDENSER SIZING AMBIENT BELOW 95°F • R-22 <sup>1</sup>			
HP	Compressor Model	Single	Dual
10	3DB3-1000	RAC-014-S-V-N	RAC-046-D-V-N
15	3DS3-1500	RAC-021-S-V-N	RAC-046-D-V-N
20	4DA1-2000	RAC-021-S-V-N	RAC-046-D-V-N
25	4DH1-2500	RAC-027-S-V-N	RAC-054-D-V-N
30	4DJ1-3000	RAC-031-S-V-N	RAC-066-D-V-N
35	6DH1-3500	RAC-041-S-V-N	RAC-080-D-V-N
40	6DJ1-4000	RAC-045-S-V-N	RAC-098-D-V-N
MILK COOLER REMOTE CONDENSER SIZING AMBIENT BELOW 95°F • R-22 <sup>2</sup>			
HP	Compressor Model	Single	Dual
10	3DB3-1000	RAC-023-S-V-N	RAC-046-D-V-N
15	3DS3-1500	RAC-031-S-V-N	RAC-060-D-V-N
CHILLER REMOTE CONDENSER SIZING AMBIENT ABOVE 95°F • R-22 <sup>1</sup>			
HP	Compressor Model	Single	Dual
10	3DB3-1000	RAC-023-S-V-N	RAC-046-D-V-N
15	3DS3-1500	RAC-027-S-V-N	RAC-054-D-V-N
20	4DA1-2000	RAC-031-S-V-N	RAC-060-D-V-N
25	4DH1-2500	RAC-035-S-V-N	RAC-070-D-V-N
30	4DJ1-3000	RAC-045-S-V-N	RAC-086-D-V-N
35	6DH1-3500	RAC-053-S-V-N	RAC-106-D-V-N
40	6DJ1-4000	RAC-065-S-V-N	RAC-132-D-V-N
MILK COOLER REMOTE CONDENSER SIZING AMBIENT ABOVE 95°F • R-22 <sup>2</sup>			
HP	Compressor Model	Single	Dual
10	3DB3-1000	RAC-023-S-V-N	RAC-046-D-V-N
15	3DS3-1500	RAC-031-S-V-N	RAC-060-D-V-N

#### Notes:

<sup>1</sup>Mueller chiller capacities at 20°F saturated suction temperature (SST) and 95°F ambient.

Specify proper voltage with order. Dealer pricing based on direct shipment.

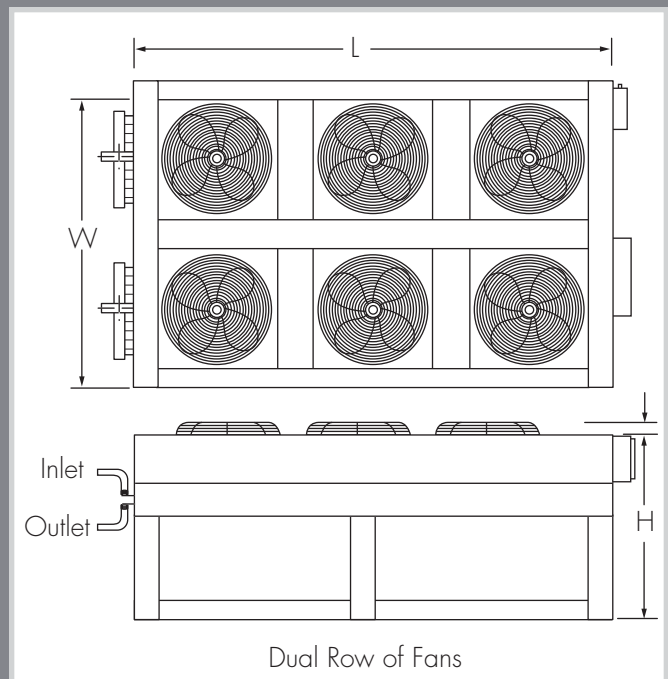
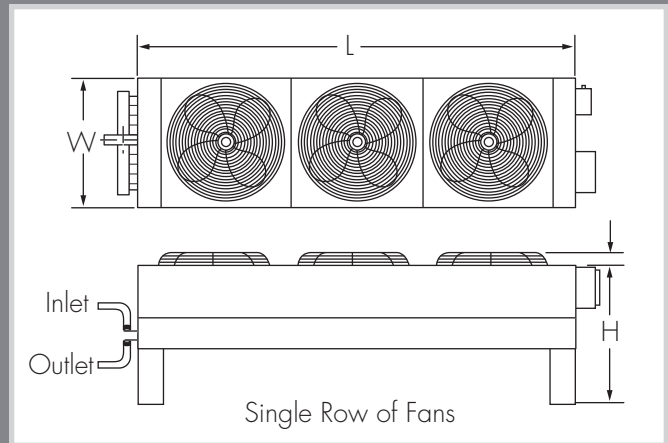
<sup>2</sup>Mueller milk cooler capacities at 30°F saturated suction temperature (SST) and 90°F ambient.

Specify proper voltage with order. Dealer pricing based on direct shipment.

# Mueller Air-Cooled Remote Condenser Dimensional Data

## DIMENSIONAL DATA

Model No.	Overall Length (in)	"L" Condenser Length (in)	"W" Width (in)	"H" Height (in)
<b>SINGLE ROW OF FANS</b>				
RAC-014-S-V-N	90	80	43	32.5
RAC-021-S-V-N	130	120	43	32.5
RAC-023-S-V-N	125	110	42.5	48
RAC-027-S-V-N	125	110	42.5	48
RAC-031-S-V-N	125	110	42.5	48
RAC-035-S-V-N	125	110	42.5	48
RAC-041-S-V-N	180	165	42.5	48
RAC-045-S-V-N	180	165	42.5	48
RAC-053-S-V-N	235	220	42.5	48
RAC-065-S-V-N	235	220	42.5	48
<b>DUAL ROW OF FANS</b>				
RAC-046-D-V-N	125	110	85	48
RAC-054-D-V-N	125	110	85	48
RAC-060-D-V-N	125	110	85	48
RAC-066-D-V-N	125	110	85	48
RAC-070-D-V-N	125	110	85	48
RAC-080-D-V-N	180	165	85	48
RAC-086-D-V-N	180	165	85	48
RAC-098-D-V-N	180	165	85	48
RAC-106-D-V-N	235	220	85	48
RAC-132-D-V-N	235	220	85	48



**MUELLER**®

P.O. Box 828 • Springfield, Missouri 65801-0828, U.S.A.

DFE Internal Sales: 1-888-645-5826 • Phone: (417) 575-9000 • 1-800-MUELLER

Fax: 1-800-436-2466 • (417) 575-9887 • www.muel.com • E-mail: dairyfarm@muel.com