

MUELLER

MUELLER MILK COOLER MODEL R - OPEN TANK



**RELIABLE
AND LOW-
COST MILK
COOLING FOR
THE DAIRY
FARMER.**

Features of Mueller R-Tanks:

- Available from 500 to 1500 litres milk cooling capacity
- Inner and outer tanks are made of durable AISI 304
- The lid is easy to open and has a filling hole of Ø 200 mm with inlet cover
- Simple operation, even in high ambient temperatures
- Quick installation cooling tank with built-on condensing unit
- Suitable for 2 and 4 milkings
- Manual tank cleaning

EN.PAULMUELLER.COM

COOLING TANK PERFORMANCE

- Suitable for 2 and 4 milkings
- Performance according to ISO 5708 2AII / 2BII / 4BII
- Excellent insulation: without cooling for 12 hours, milk initially at 4°C does not exceed 6.7°C* (results in an ambient temperature of 32°C)
- Complies with technical standards ISO 5708 and EN 13732

ELECTRONIC CONTROL UNITS

- Control interfaces (stop, refrigeration start, continuous agitation start)
- Control of the cooling and agitation
- Voltage protection relay
- Phase sequence protection
- Overload relay for 4 control lights
- Built-in fuse
- Compressor protection thermal relay
- Standard electric power:
 - 230V/1P/50Hz for R-500, R-1000
 - 400V/3P+N/50Hz for R-1000, R-1500, R-1250 (Optional: 60Hz)

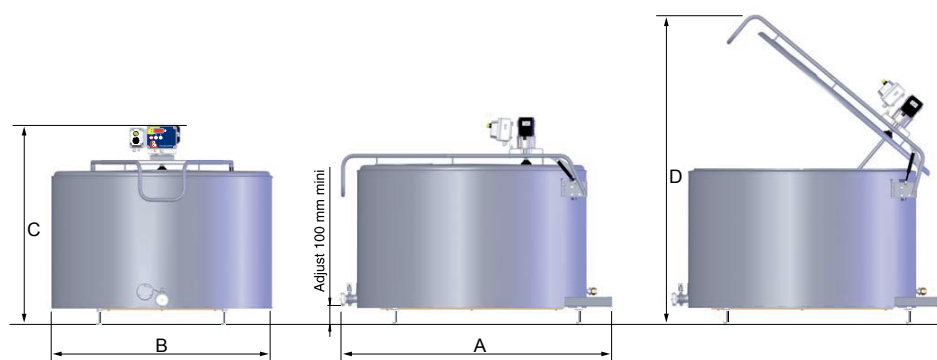
AGITATION

- Durable agitator motor, made in EU
- Automatic programmed agitation timing and continuous agitation

CONDENSING UNIT

- Milk cooling tank supplied with high performance condensing unit
- Suitable for high ambient temperatures
- Easy to service
- Standard refrigerant: R404A (other refrigerants optionally)
- Installation materials are provided

TECHNICAL SPECIFICATIONS



Model	R-500	R-1000	R-1250	R-1500
Nominal volume	500 L	1.000 L	1.250 L	1.500 L
Gross capacity	550 L	1.100 L	1.295 L	1.750 L
Tank length (A)	1.500 mm	1.785 mm	1.785 mm	1.785 mm
Width (B)	1.232 mm	1.482 mm	1.482 mm	1.482 mm
Height with closed cover (C)*	1.085 mm	1.330 mm	1.435 mm	1.600 mm
Height with open cover (D)	1.450 mm	2.015 mm	2.120 mm	2.285 mm
Tank weight (w/o condensing unit)	140 kg	195 kg	215 kg	230 kg

* Including height of the agitator, control panel and with legs extended to maximum height.

Electrical Data (maximum connected load)				
Condensing unit	1.68 kW	2.6 kW	2.6 kW	4.3 kW
Agitator motor	70 W	70 W	70 W	70 W

Specifications of condensing units*				
Make of compressor	Emerson/Danfoss/Tecumseh/Equivalent			
Type of compressor	Reciprocating/Scroll			
Number of compressors	1			
Standard electric power (50Hz)	230V/400V	230V/400V	230V/400V	400V
Cooling unit weight	96 kg	96 kg	105 kg	110 kg

*Based on two milkings and cooling performance exceeding requirements of ISO 5708 - 2 B II.

** Mueller recommends to use tri-phase (400V) reciprocating compressor for the R-1000. However, single phase (230V) Scroll compressor is optionally available with this model.

Note: The C height is given with legs adjusted at min. height. This results in an ambient temperature of 38°C - operating guaranteed at 53°C. In these tanks, the milk temperature, initially at 4°C, does not exceed 6.7°C after 12 hours, in an ambient temperature of 38°C.