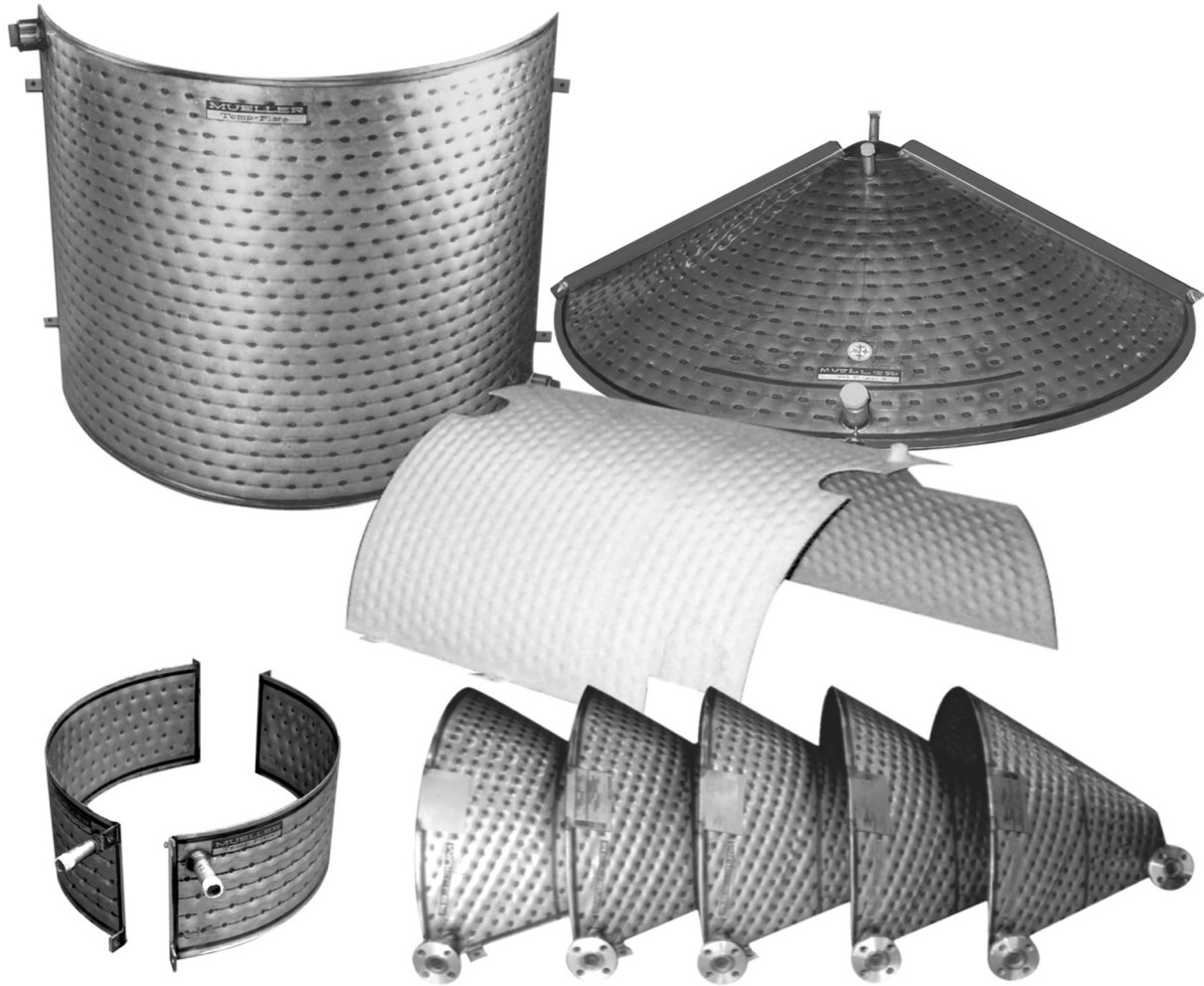


Mueller® Temp-Plate®

Double-Embossed Clamp-On Sections

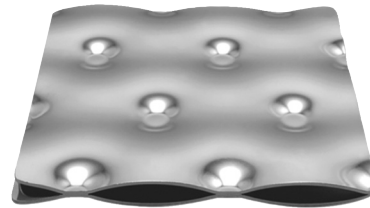


The Easy, Economical, and Effective Way for Temperature Maintenance

Mueller double-embossed Temp-Plate® clamp-on sections are easy to install on existing tanks or equipment and are an economical, effective way to retrofit heating or cooling for temperature maintenance.

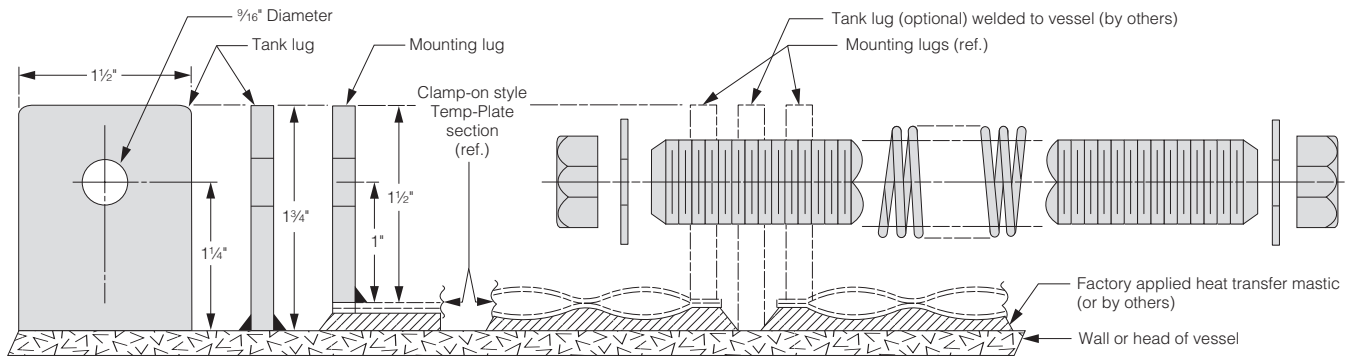
A real advantage of the double-embossed surface is in its inherently turbulent design. The efficient heat transfer design promotes a turbulent flow path that is conducive to the most effective heat transfer.

Tests prove Mueller double-embossed Temp-Plate clamp-on sections outperform preformed single-embossed clamp-on sections by 15%!



MUELLER
HEAT TRANSFER PRODUCTS

Mueller Temp-Plate Double-Embossed Clamp-On Sections



Typical Installation

Mueller Temp-Plate double-embossed clamp-on heat transfer surface is recommended for maintaining temperatures. For maximum heat transfer with clamp-on sections, approximately $\frac{1}{8}$ " thick heat transfer mastic film must be applied between the clamp-on and equipment wall. Heat transfer mastic is available through Paul Mueller Company. One gallon of heat transfer mastic will cover about 12 to 14 ft² of surface when used with Mueller double-embossed clamp-on sections.



Installation of Mueller Temp-Plate double-embossed clamp-on sections at a large oil refinery.

Features

- Easy to install on existing tanks or equipment.
- Fits odd shapes and sizes.
- Available with cut-outs to fit existing inlets/outlets, control fittings, and braces.
- Available in stainless and carbon steel.
- Use with most heat transfer mediums.
- Manufactured to close tolerance fits.
- ASME available.

Visit our
website at
[www.hrx.com!](http://www.hrx.com)

All products, specifications, and features listed herein are representative of the final product and are intended as reference only. We reserve the right to make alterations without notice.

MUELLER

1600 West Phelps Street • Springfield, Missouri 65802, U.S.A.
Phone: 417-575-9000 • 1-800-MUELLER • Fax: 417-575-9885
www.paulmueller.com • Email: heattransfer@paulmueller.com