

MUELLER® PYROPURE® Thermodrive Still

The *NEXT* Generation

Paul Mueller Company's PyroPure Thermodrive Still is a steam-heated distillation system capable of producing high volumes of pyrogen-free water with specific resistance exceeding one megohm/cm. It works with a variety of feedwater sources including well water, pretreated water, and condensed steam. Mueller PyroPure Thermodrive Stills also economize space and deliver excellent potential for expansion.

Features and Benefits

15-200 GPH capacities and purity levels from 300,000 ohms to 1 megohm @ 25°C.

Adaptable to a variety of feedwater conditions.

Stainless steel is used for all pure water contact surfaces.

Fast startup; produces distillate almost instantly.

Modular, expandable design accommodates up to four evaporators.



MUELLER

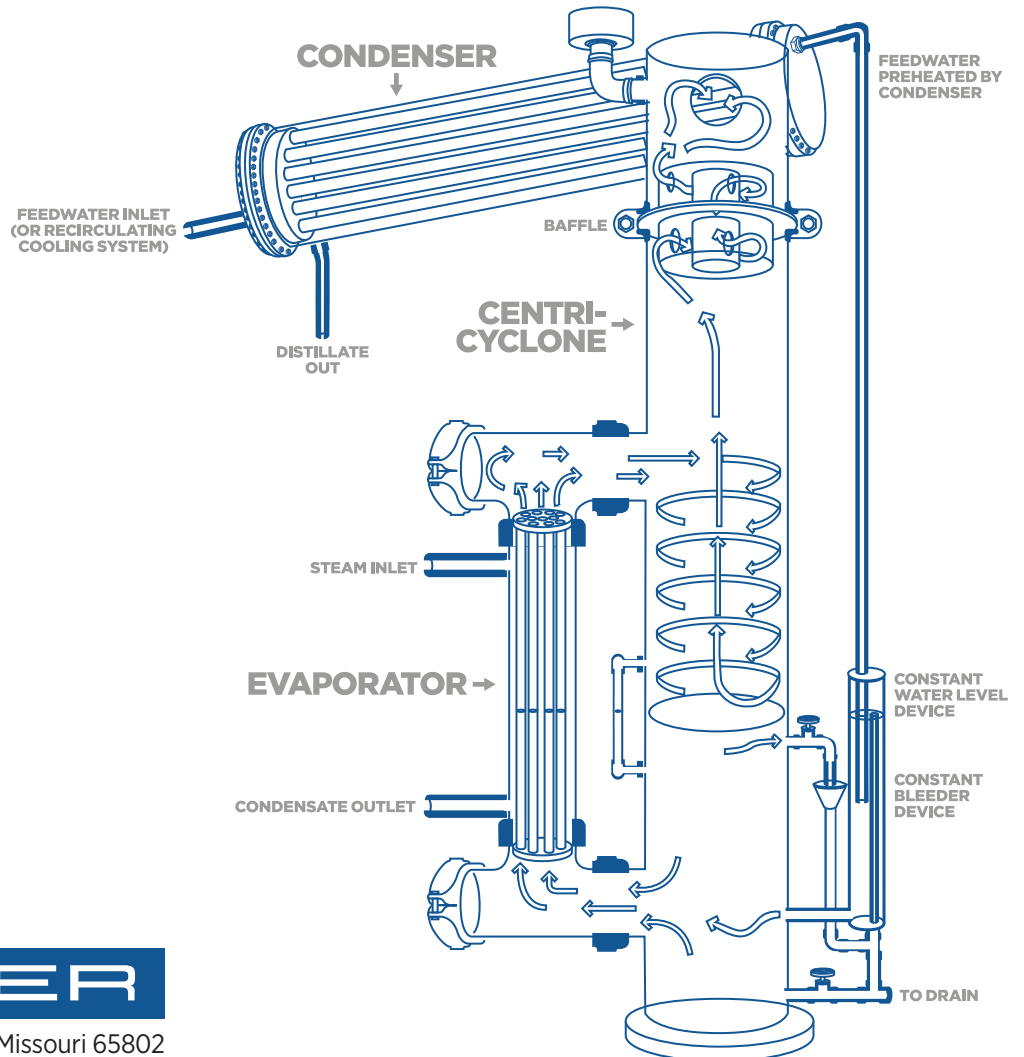
Mueller Pyropure Thermodrive Still

SYSTEM CAPACITY AND UTILITY REQUIREMENTS*

| Model Numbers | TD-15 | | | | TD-50 | | |
|---|------------------|------------------|------------------|-------------------|-------------------|-------------------|-------------------|
| OUTPUT CAPACITY | 15 GPH | 30 GPH | 45 GPH | 50 GPH | 100 GPH | 150 GPH | 200 GPH |
| UTILITY STEAM lb/hr (kg/hr) | 138 (62) | 276 (126) | 414 (188) | 460 (209) | 920 (418) | 1,380 (627) | 1,849 (836) |
| BOILER HORSEPOWER hp (kW) | 4 (39) | 8 (78) | 12 (118) | 13 (131) | 27 (262) | 40 (392) | 53 (523) |
| RADIANT HEAT LOSS Btu/hr (kcal/hr) | 6,000 (1,512) | 7,500 (1,890) | 9,000 (2,268) | 16,000 (4,032) | 18,000 (4,536) | 20,000 (5,040) | 22,000 (5,544) |

*Cooling and feedwater requirements vary based on utility conditions and inlet configuration.
Consult Paul Mueller Company for specific requirements.

BASIC TAP WATER FEED THERMODRIVE SCHEMATIC OF OPERATION



MUELLER

1600 West Phelps Street • Springfield, Missouri 65802
417-575-9000 • 1-800-MUELLER • Fax: 417-575-9662
biopharm@paulmueller.com • www.paulmueller.com